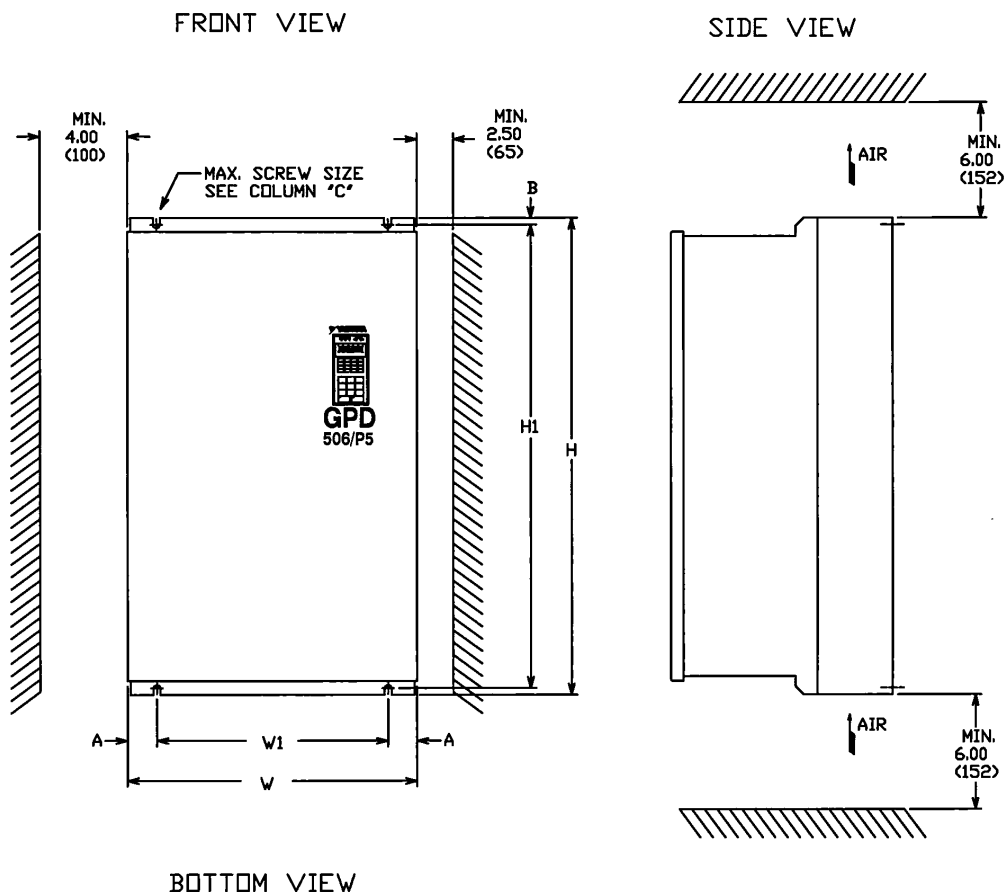


**DIMENSIONS: GPD506/P5 BASIC DRIVE NEMA 1**
**S - 5510**


GPD506/P5 (600V)

MODEL NO.	OUTPUT CURRENT RATING (AMPS)	DIMENSIONS IN INCHES (mm)								APPROX. WEIGHT LBS. (kg)
		MOUNTING		H	W	D	A	B	C	
		H <sub>1</sub>	W <sub>1</sub>							
50181F	30	28.74	11.81	29.53	15.75	11.22	1.97	.39	5/16	97
50221F	36	(730)	(300)	(750)	(400)	(285)	(50)	(10)	(M8)	(45)
50301F	46	32.48	18.70	33.46	22.64	11.81	1.97	.49	3/8	159
50371F	58	(825)	(475)	(850)	(575)	(300)	(50)	(12.5)	(M10)	(72)
50451F	69									
50551F	86	40.35	18.70	41.34	22.64	12.80	1.97	.49	3/8	198
		(1025)	(475)	(1050)	(575)	(325)	(50)	(12.5)	(M10)	(90)
50751F	111	40.35	18.70	41.97	22.64	12.80	1.97	.81	3/8	198
		(1025)	(475)	(1066)	(575)	(325)	(50)	(20.5)	(M10)	(90)

FOR REFERENCE ONLY UNLESS PROPERLY ENDORSED.